



\* All images in this datasheet are for illustrative purposes only.



## Touch Open Frame 27TNF3K

# New In-Cell Touch Open Frame for Optimal Customization



Slim & Light



Clear Picture Quality



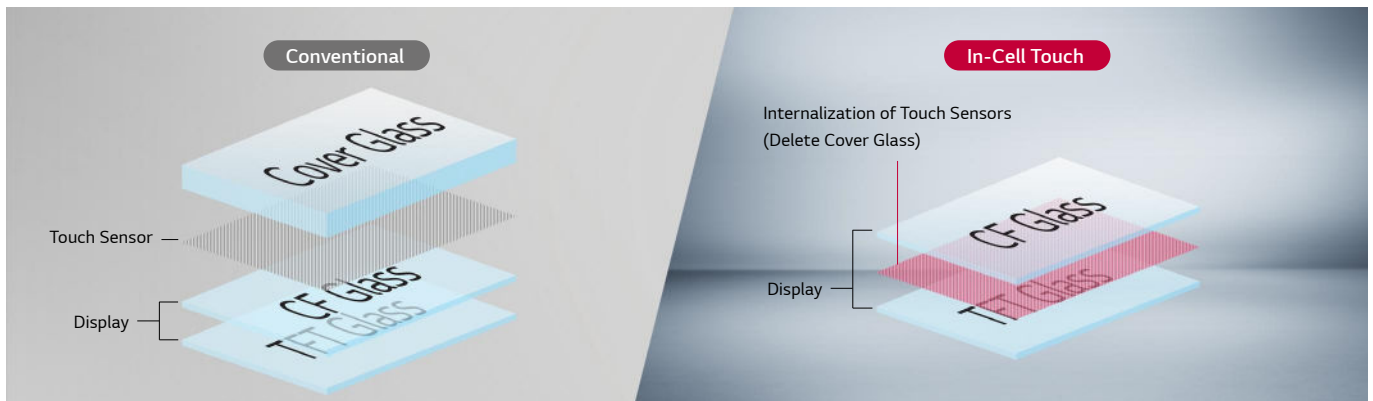
Design Flexibility



Ready for Commercial Uses

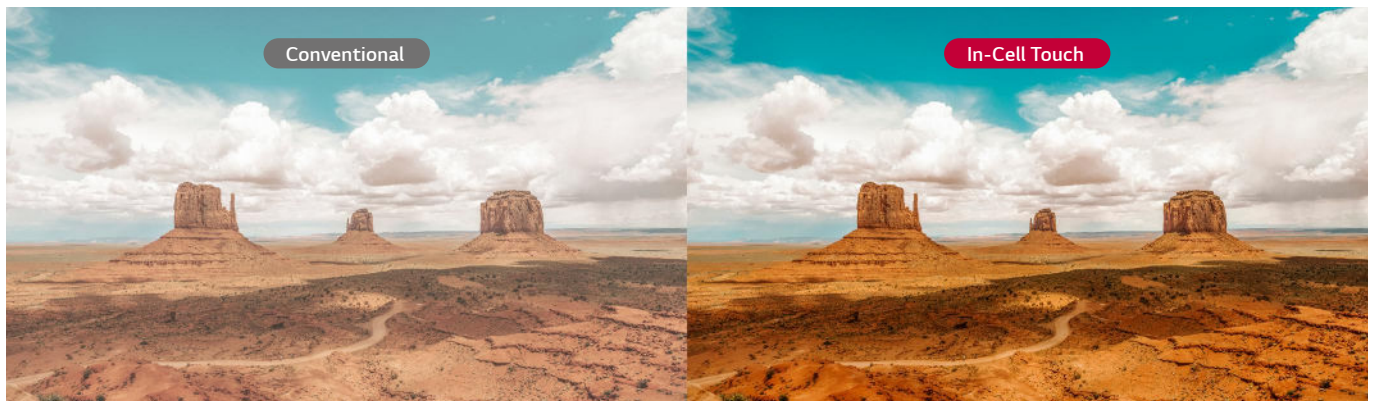
### 27TNF3K

	Inch	27"
Display	Native Resolution	1,920 × 1,080 (FHD)
	Brightness	300 nit
	Portrait / Landscape	Yes / Yes
Touch	Multi-Touch Point	Max. 10 Points
Connectivity	Input	HDMI (2, HDCP 1.4), RS-232C In, RJ45 (LAN), IR In, USB 2.0 Type A
	Output	Audio Out, Touch USB (USB 2.0 Type B)



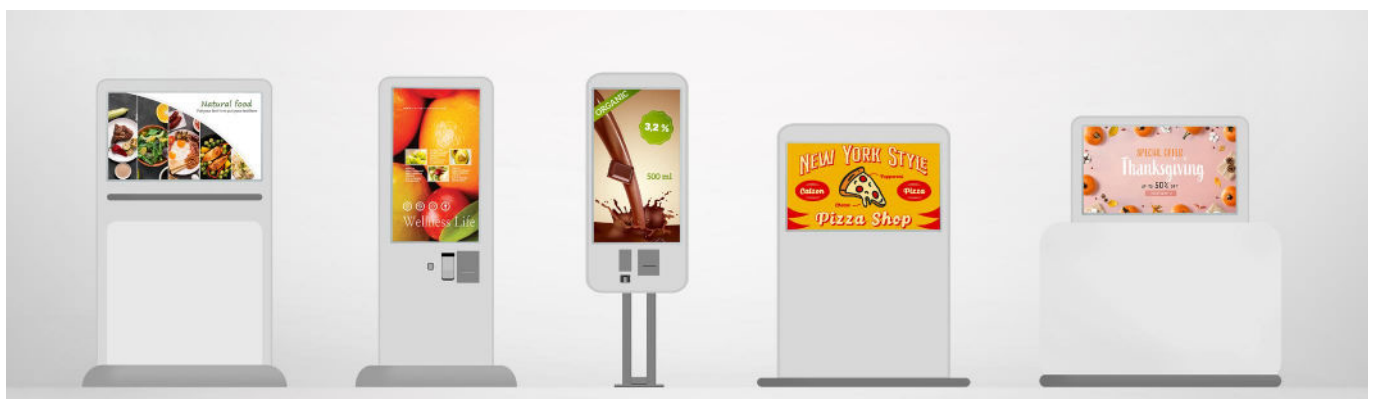
## Slim & Light

The In-Cell Touch Open Frame has a touch function built into the display, allowing for the implementation of a slim design and a narrow bezel compared to general touch products that require additional touch parts (Film).



## Clear Picture Quality

Compared to general touch products, 27TNF3K implements clear picture quality without milk effects caused by additional touch sensor film parts.



## Design Flexibility

By providing integrated parts such as touchscreen, display, and webOS, users can realize free design for their own needs.



## Ready for Commercial Uses



### Wide Viewing Angle

IPS panel technology provides better control of the liquid crystals, which in turn allows the screen to be viewed at virtually any angle.



### 25-degree Tilt (Face up) Installation Possible

When a display is installed at low places, it is usually tilted for the user's viewing comfort. Considering this, the installation with a max tilt of 25 degrees is supported.



### 10 Points of Multi-Touch

The 27TNF3K provides a more realistic touch sensation since it can recognize up to 10 points of multi-touch at once, and various touch-based user services can be provided through the screen.



### High-Performance with webOS 6.0

webOS 6.0, upgraded in SoC\* and web engine, is available on 27TNF3K for a smooth execution of several tasks. LG webOS smart signage platform enhances user convenience with intuitive GUI\*\* and provides to SI or/and developers simple app development tools such as SDK (Software Development Kit), SCAP, sample applications.

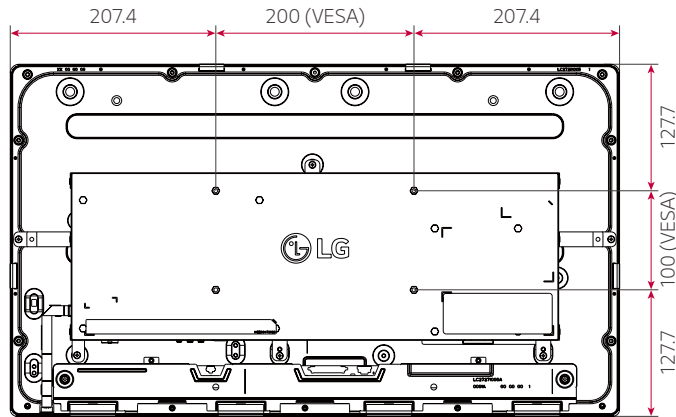
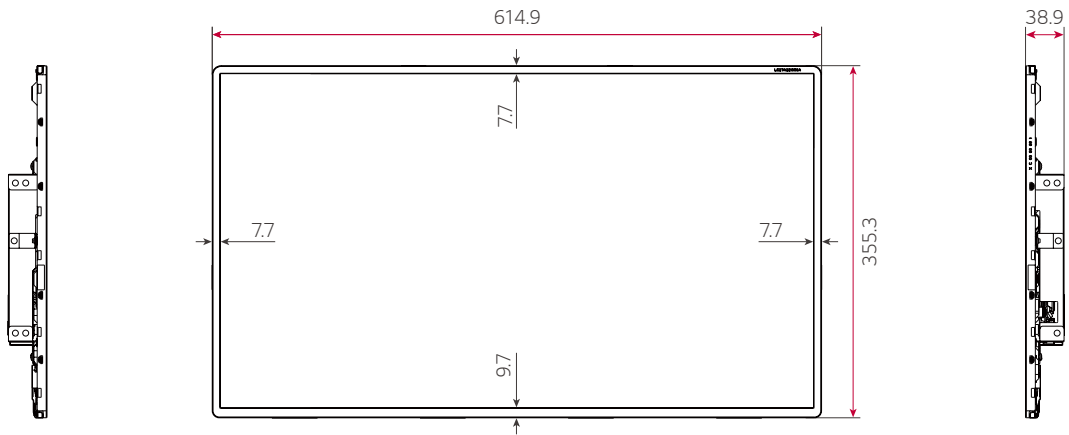
\* SoC : System On Chip

\*\* GUI : Graphical User Interface

\* All images in this datasheet are for illustrative purposes only.

**DIMENSION** (unit: mm)

27"



**CONNECTIVITY**

27"



\* Dimensions & Jack Panels may differ from the above image, so please contact LG sales team to verify before ordering.



Download  
LG C-Display+  
Mobile App  
Google Play Store

- [www.lg.com/global/business/information-display](http://www.lg.com/global/business/information-display)
- [www.youtube.com/c/LGCommercialDisplay](https://www.youtube.com/c/LGCommercialDisplay)
- [www.facebook.com/LGInformationDisplay](https://www.facebook.com/LGInformationDisplay)
- [www.linkedin.com/company/LGinformationdisplay](https://www.linkedin.com/company/LGinformationdisplay)
- [twitter.com/LG\\_ID\\_HQ](https://twitter.com/LG_ID_HQ)

LG may make changes to specifications and product descriptions without notice. Copyright © 2022 LG Electronics Inc. All rights reserved. "LG Life's Good" is a registered trademark of LG Corp. The names of products and brands mentioned here may be the trademarks of their respective owners.

