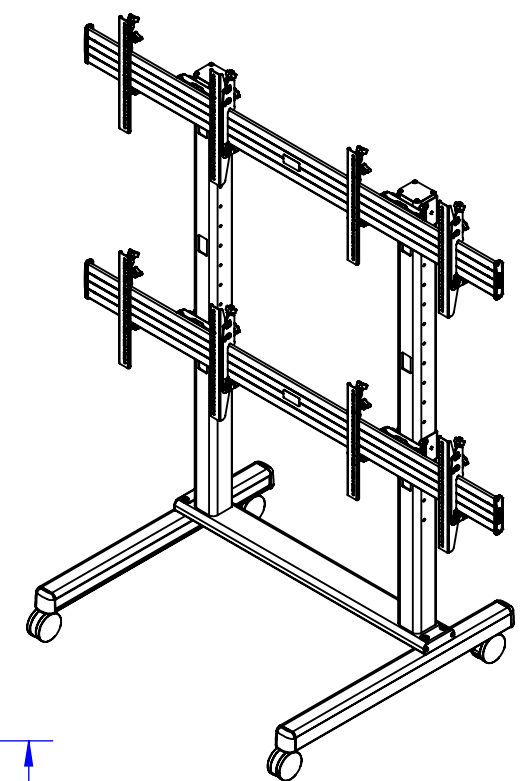
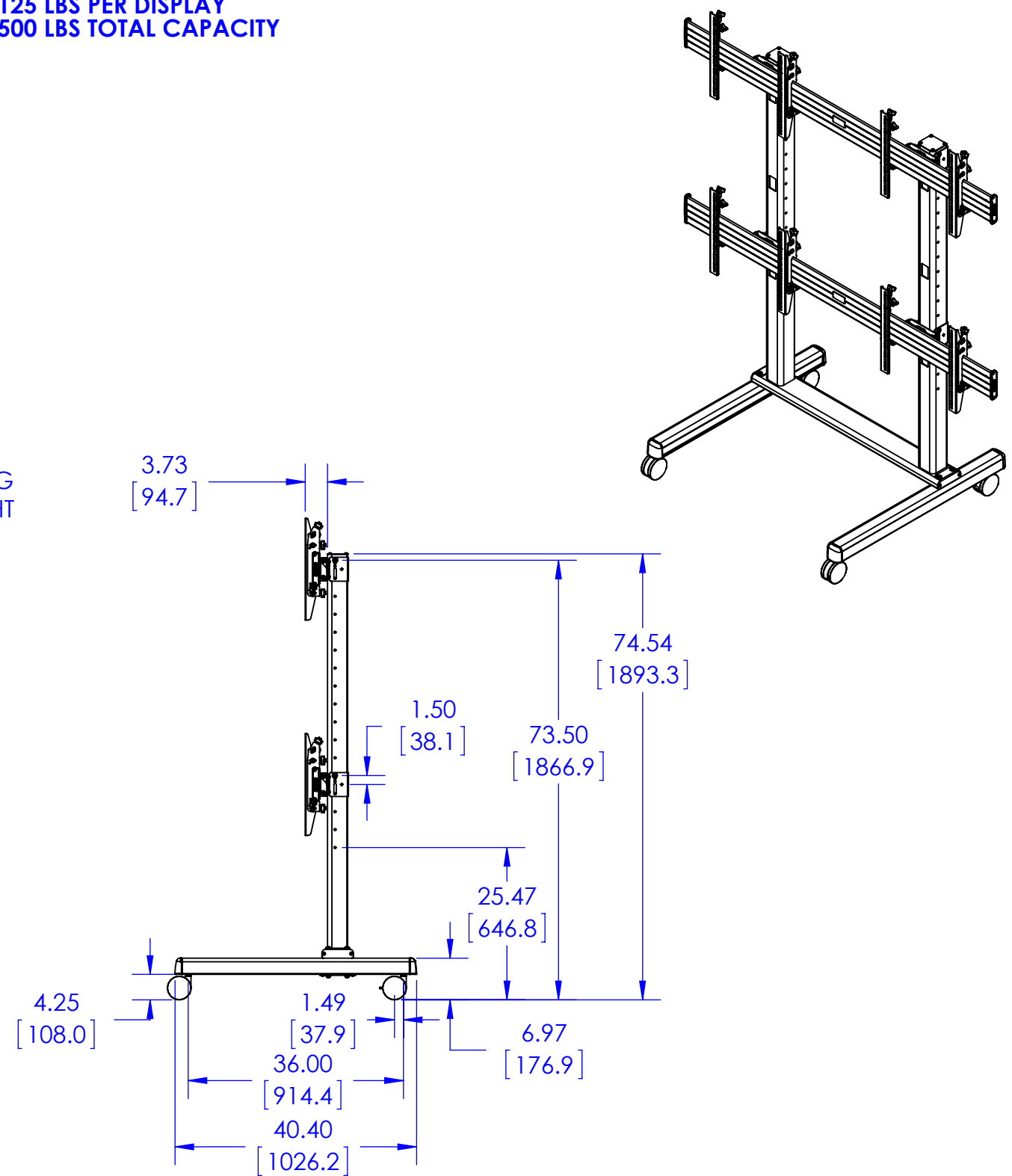
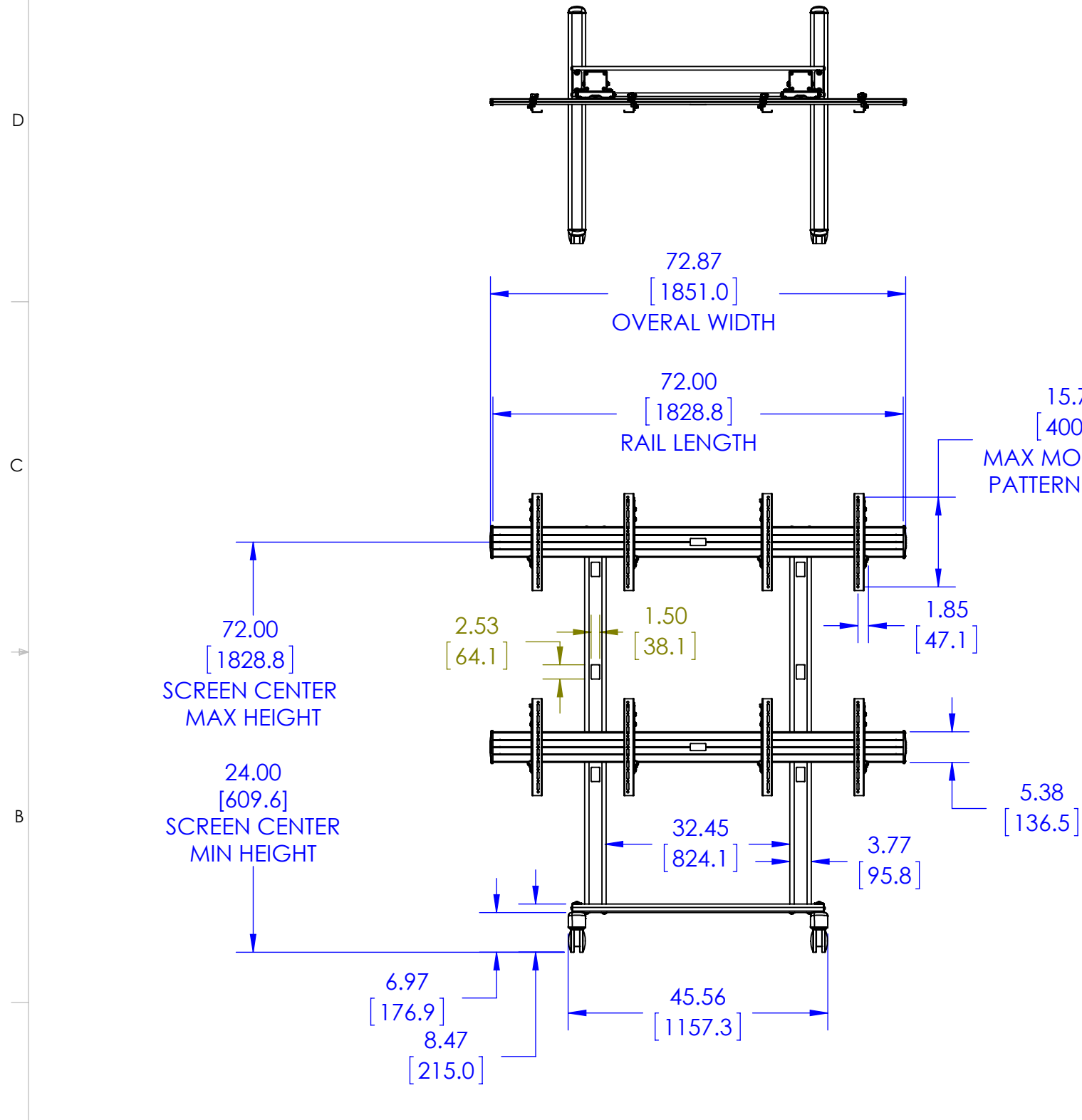


**MAX WEIGHT:
125 LBS PER DISPLAY
500 LBS TOTAL CAPACITY**

TECH-000022



THE INFORMATION AND DESIGNS CONTAINED IN THIS DRAWING ARE CONFIDENTIAL AND THE PROPRIETARY PROPERTY OF MILESTONE AV TECHNOLOGIES NEITHER THIS DESIGN NOR ANY INFORMATION CONTAINED IN THIS DRAWING MAY BE REPRODUCED OR DISCLOSED TO OTHERS WITHOUT THE EXPRESS WRITTEN CONSENT OF MILESTONE AV TECHNOLOGIES.

CAD GENERATED DRAWING, DO NOT MANUALLY UPDATE.			CHIEF		6436 CITY WEST PKWY EDEN PRAIRIE MN, 55344 PHONE: 866-977-3901 FAX: 877-894-6918
DRAWN BY	MJS	3/22/2012	DESCRIPTION LVM2X2U, FUSION 2X2 VIDEO WALL CART		
ENG APPROVAL	MJS	3/22/2012	MODEL NO. LVM2X2U		
MFG APPROVAL			SCALE 1:24		
QA APPROVAL			SIZE B	DWG. NO. TECH-000022	REV. 03
SHEET 1 OF 1					