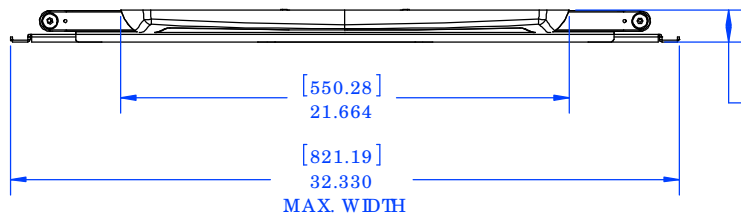
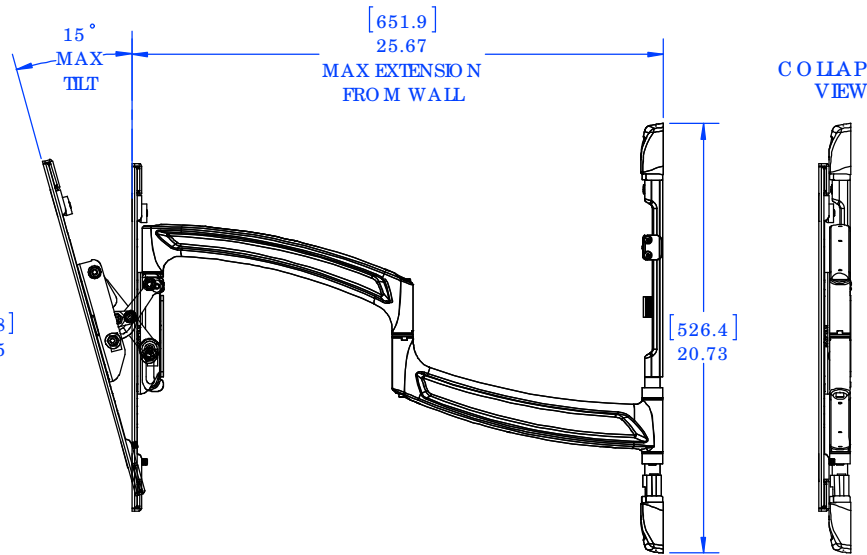
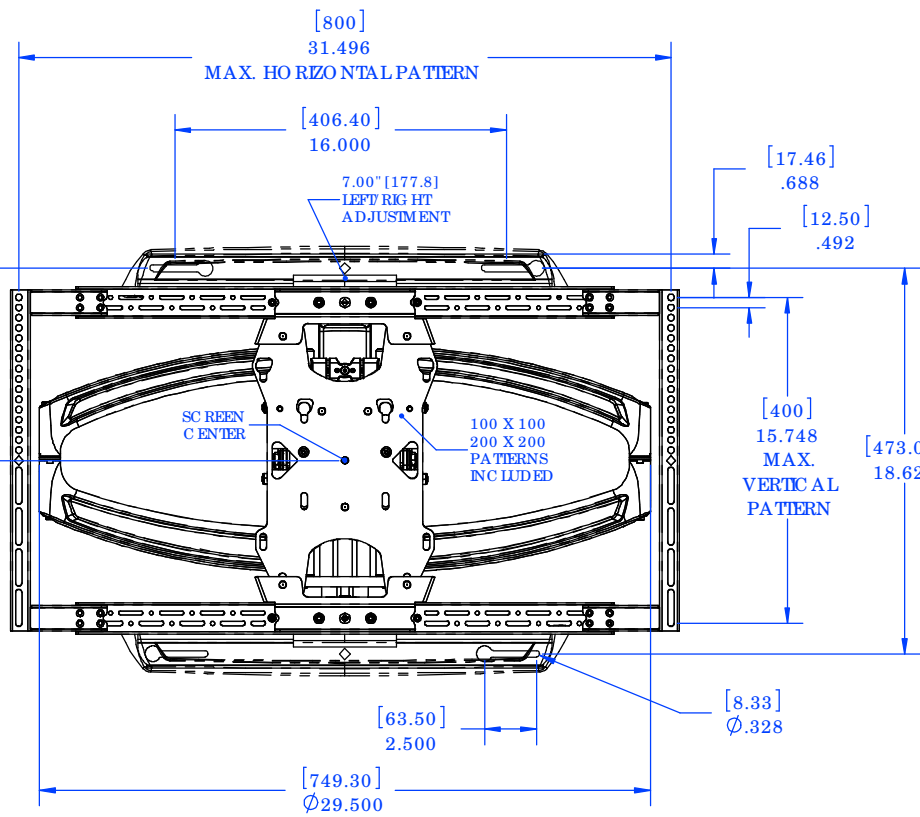


1 2 3 4 5 6 7 8



[39.1]
1.5
DISTANCE FROM WALL
WITH INTERFACE
[35.6]
1.4
WITH OUT INTERFACE

MAXIMUM WEIGHT CAPACITY = 125 lbs. (56.7 kg)



CHIEF MANUFACTURING INC.
PRODUCT ORDER NUMBER IS: 9200-002121-XXX
PHONE 1-800-582-6480

SHEET SCALE = 1:6

THE INFORMATION AND DESIGNS CONTAINED IN THIS DRAWING ARE CONFIDENTIAL AND THE PROPRIETARY PROPERTY OF MILESTONE AV TECHNOLOGIES NEITHER THIS DESIGN NOR ANY INFORMATION CONTAINED IN THIS DRAWING MAY BE REPRODUCED OR DISCLOSED TO OTHERS WITHOUT THE EXPRESS WRITTEN CONSENT OF MILESTONE AV TECHNOLOGIES.

CHIEF
8401 EAGLE CREEK PKWY
SUITE #700
SAVAGE, MN 55378
PHONE: 952-894-6280
FAX: 877-894-6918

TITLE: CUSTOMER PRINT
TS525TU

SER: B

1 2 3 4 5 6 7 8

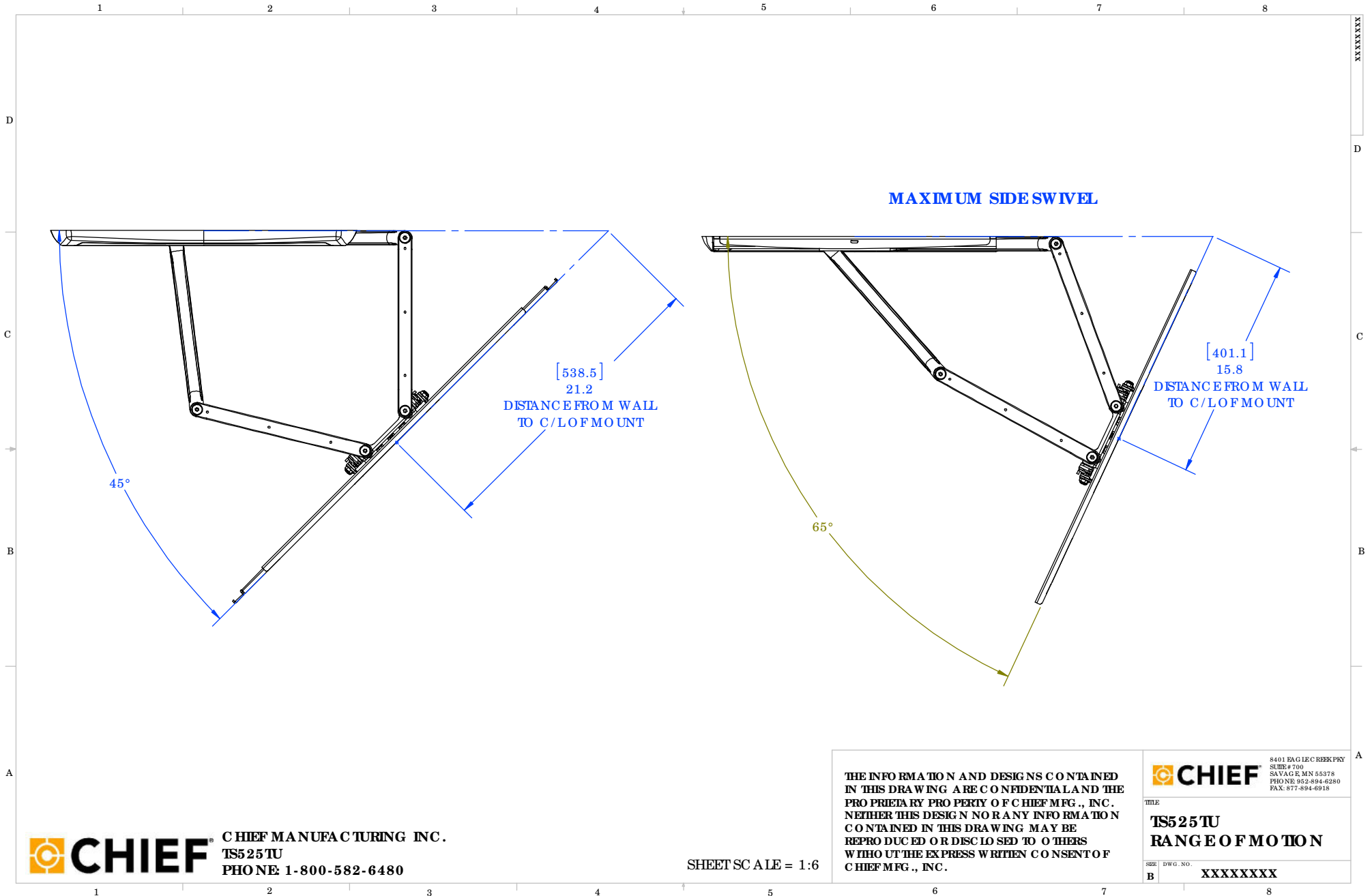
XXX-1212100-0026

D

C

B

A



CHIEF MANUFACTURING INC.
TS525TU
PHONE: 1-800-582-6480

SHEET SCALE = 1:6

THE INFORMATION AND DESIGNS CONTAINED
 IN THIS DRAWING ARE CONFIDENTIAL AND THE
 PROPRIETARY PROPERTY OF CHIEF MFG., INC.
 NEITHER THIS DESIGN NOR ANY INFORMATION
 CONTAINED IN THIS DRAWING MAY BE
 REPRODUCED OR DISCLOSED TO OTHERS
 WITHOUT THE EXPRESS WRITTEN CONSENT OF
 CHIEF MFG., INC.



8401 EAGLE CREEK PKY
 SUITE # 700
 SAVAGE MN 55378
 PHONE 952-894-6280
 FAX 877-894-6915

TS525TU
RANGE OF MOTION

DWG. NO. XXXXXXXX