

# Lux-Up

Beautify your screen!

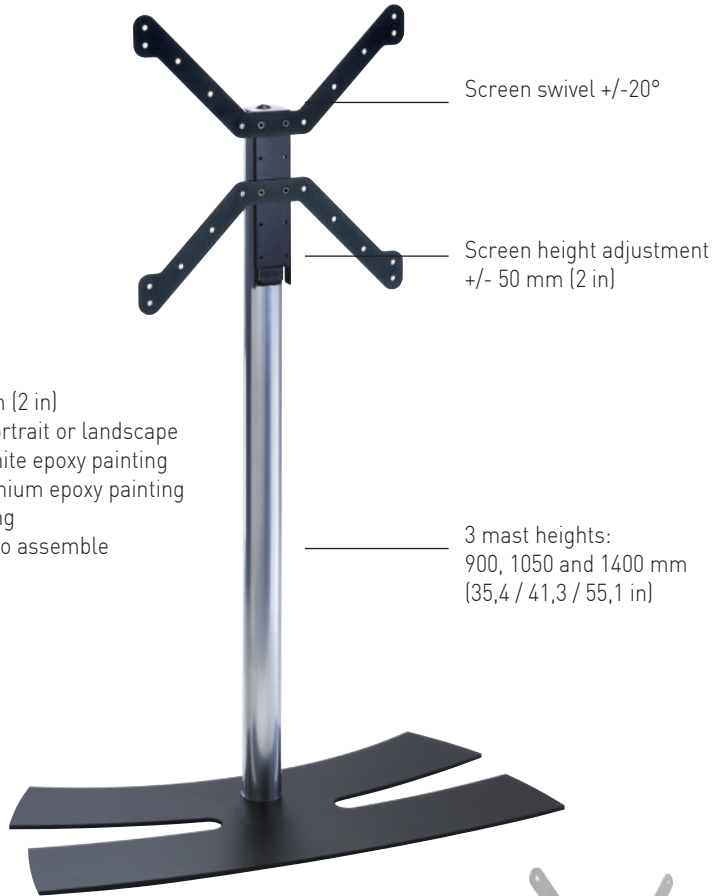


ORIGINE  
FRANCE®  
GARANTIE

BVCert. 6164725

ERARD®

# Lux-Up™ 900M, 1050L, 1400L and 1400XL



## FEATURES

- Screen height adjustment +/- 50 mm (2 in)
- Possibility to mount the screen in portrait or landscape
- 6 mm (0,2 in) steel base, black or white epoxy painting
- Mast diameter 60 mm (2,4 in), chromium epoxy painting
- Steel TV bracket, black epoxy painting
- Delivered unassembled / Very easy to assemble
- Incorporated cable management

## OPTIONS

### Lux-Up™ shelf



Ref. **038400** EAN 318528 038400 6

- Additional shelf for a peripheral
- Positioned to the right of the mast
- Fixed on the rear side of the mast with 2 screws
- 6 mm (0,2 in) tempered glass shelf - Max weight 5 kg (11 lb)
- Useful shelf space: 420 X 240 mm (16,5 x 9,5 in)
- Shelf dimensions: 420 X 270 mm (16,5 x 10,6 in)

### Box-Up



Ref. **038401** EAN 318528 038401 3

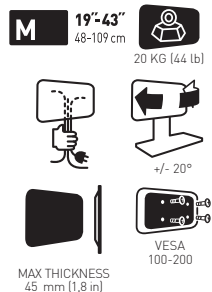
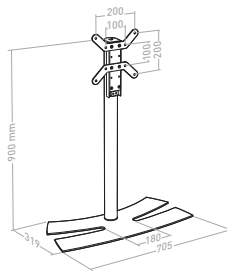
- Peripheral holder positioned on the rear side of the screen on the Lux-Up™ mounting plate
- Fixed with 2 screws
- Steel structure, black epoxy painting
- Peripheral is held in place thanks to 3 elastics cords
- Reversible left right

## Lux-Up™ 900M

Ref. **038042 - Black** EAN 318528 038042 8

Ref. **038043 - White** EAN 318528 038043 5

- Mast : 900 mm (35,4 in)
- Base : 705 X 319 mm (27,8 x 12,6 in)
- VESA : 200 X 200



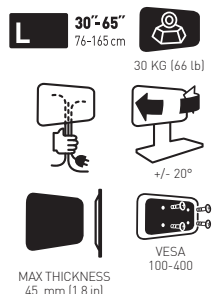
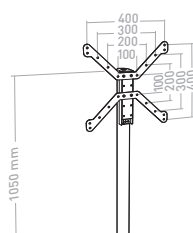
## Lux-Up™ 1050L

Ref. **038142 - Black** EAN 318528 038142 5

Ref. **038143 - White** EAN 318528 038143 2

- Mast : 1050 mm (41,3 in)
- Base : 865 X 440 mm (34,1 x 17,3 in)
- VESA : 400 X 400

## LUX UP 1050

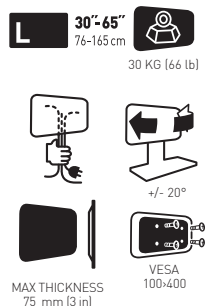
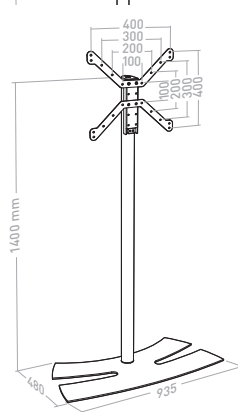


## Lux-Up™ 1400L

Ref. **038242 - Black** EAN 318528 038242 2

Ref. **038243 - White** EAN 318528 038243 9

- Mast : 1400 mm (55,1 in)
- Base : 935 X 480 mm (36,8 x 18,9 in)
- VESA : 400 X 400



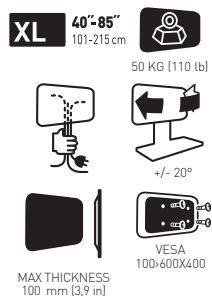
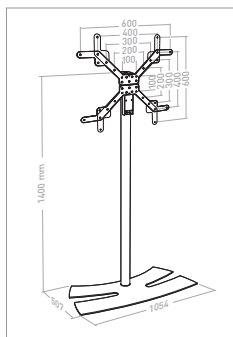
## Lux-Up™ 1400XL

Ref. **038342 - Black** EAN 318528 038342 9

Ref. **038343 - White** EAN 318528 038343 6

- Mast: 1400 mm (55,1 in)
- Base : 1054 X 507 mm (41,5 x 19,9 in)
- VESA : 600 X 400

## LUX UP 1400 XLPRO



# Lux-Up™ 1600XL

Ref. **038442 - Black** EAN 318528 038442 6

Ref. **038443 - White** EAN 318528 038443 3

**XL** 40"-85"  
101-215 cm



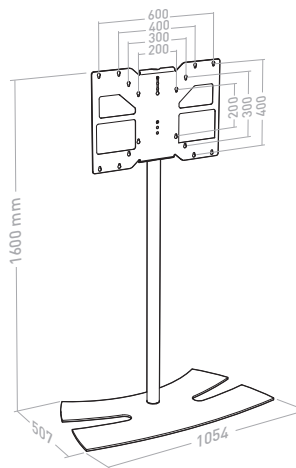
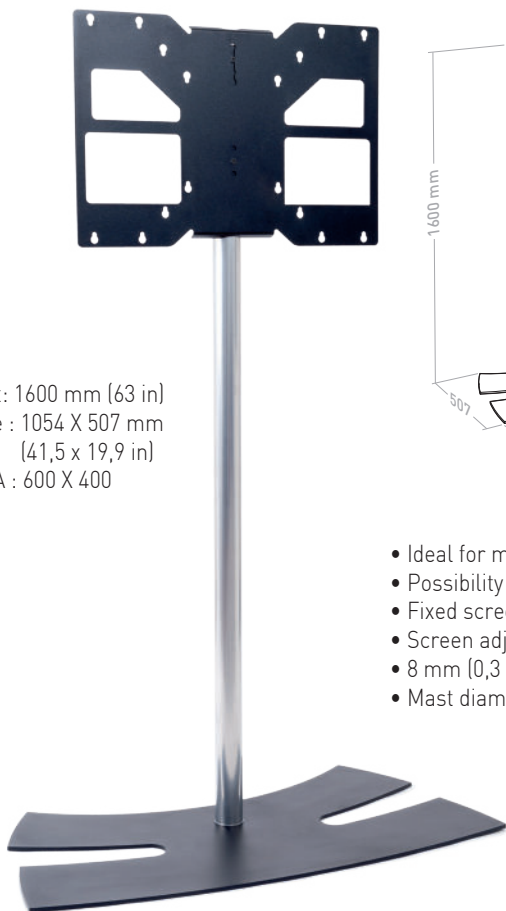
50 KG  
(110 lb)



MAX THICKNESS  
100 mm (3,9 in)



VESA  
200>600 X 400



- Mast: 1600 mm (63 in)
- Base : 1054 X 507 mm  
(41,5 x 19,9 in)
- VESA : 600 X 400

- Ideal for meeting rooms
- Possibility to mount the screen in portrait or landscape
- Fixed screen
- Screen adjustment : +/- 50 mm (2 in)
- 8 mm (0,3 in) steel base ; black or white epoxy painting
- Mast diameter 60 mm (2,4 in) ; Chromium epoxy painting

## ERARD®

ESSENTIAL ACCESSORIES  
FOR AUDIO VIDEO COMPONENTS

Mail: [export@erard.fr](mailto:export@erard.fr) / [www.erard.com](http://www.erard.com) / Tel: +33 (0)4 72 46 16 26 / Fax: +33 (0)4 72 46 16 22

VAT N°: FR 81 403 591 415

Z.I. de Chavanoz / 4 route de la Plaine / 338230 CHAVANOZ / FRANCE

