

# DO it

We thought of you!



ORIGINE  
FRANCE®  
GARANTIE

BVCert. 6164725

# ERARD®

# do it range

Complete range for extra slim screens



## THE SCREEN IS AS CLOSE THE WALL AS POSSIBLE

16 mm with a fixed, 30 mm with a tilting;  
42 mm with a tilting/swivelling wall mount.



## WALL PLATE HORIZONTALITY ADJUSTMENT

Feasible after drilling thanks to a patented installation system with 4 off-centre washers.

Easy assembly: 1 person is enough.



## INTEGRATED SPIRIT LEVEL

Makes it easy to check horizontality when installing.



## SECURITY SYSTEM PREVENTING FALLS

Automatic screen locking.

Unlocking cable with adjustable length.

“CLIC” indicating locking and unlocking.

### FiXiT

Fixed ultra slim wall mount for LED screens for a beautiful “as a picture on the wall” effect

### TiLTiT

Tilting ultra slim wall mount to:

- Set the TV higher up on the wall
- Avoid glares on the screen
- Access to the plugs on rear of the screen and easier plugging of miscellaneous mobile devices

### TWiStiT

Tilting and swivelling ultra slim mount to :

- Swivel the TV 90° left and right
- Position the TV in a corner
- Position the screen perpendicular to the wall
- Benefit from the same advantages than with TiLTiT



BVCert. 6164725

**10 YEAR  
GUARANTEE**

# do it range

Complete range for extra slim screens

**M** 19"-32"  
48-81cm

**L** 30"-55"  
76-140cm

**XL** 40"-75"  
102-190cm

19" 30" 32" 42" 55" 75"

**TWISTIT 400**  
TILTING  
AND SWIVELLING



44440

**TILTIT 400**  
TILTING



44240

**FIXIT**  
FIXED



44020



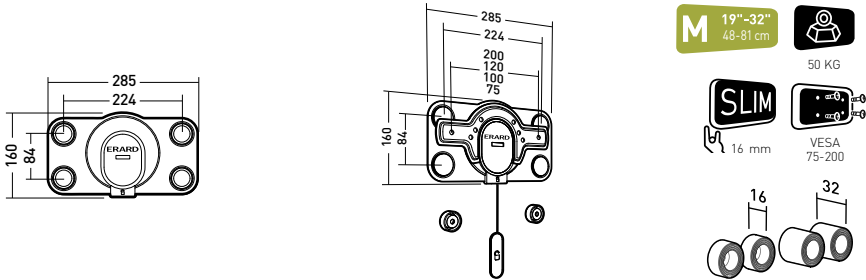
44040



44060

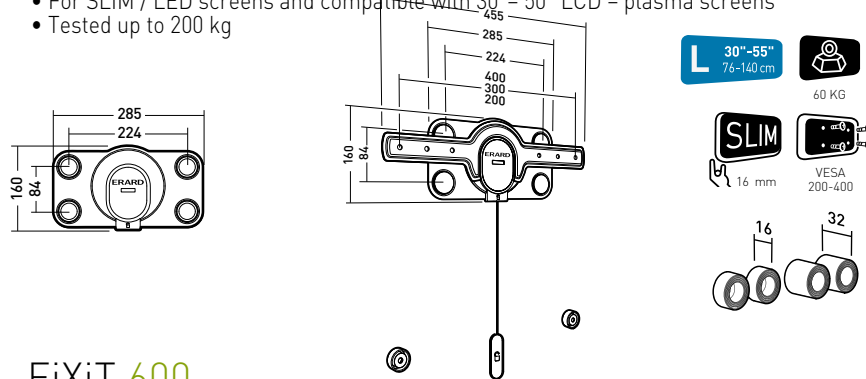
## FiXiT 200

- For SLIM / LED screens and compatible with 19" – 32" LCD – plasma screens
- Tested up to 150 kg



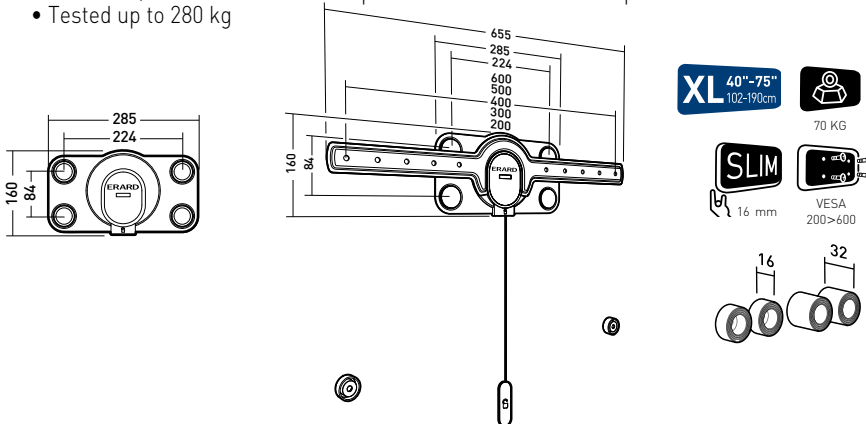
## FiXiT 400

- For SLIM / LED screens and compatible with 30" – 50" LCD – plasma screens
- Tested up to 200 kg



## FiXiT 600

- For SLIM / LED screens and compatible with 42" – 65" LCD – plasma screens
- Tested up to 280 kg

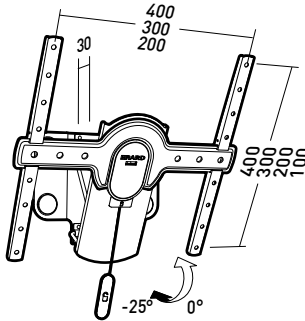
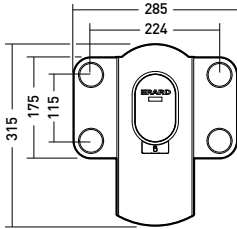


**10 YEAR  
GUARANTEE**

**TiLTiT**  
Technical details

## TiLTiT 400

- For SLIM/LED screens and compatible with 30" - 52" LCD - plasma screens
- Tested up to 120 kg



**L** 30"-55"  
76-140 cm

30 KG

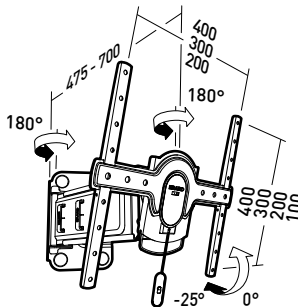
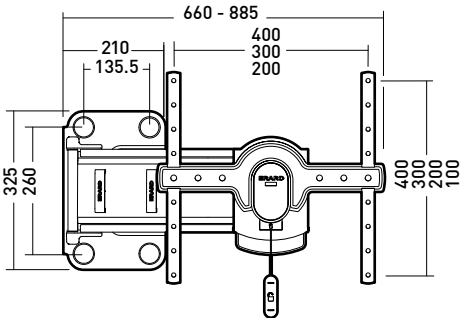
0 > 25°

VESA  
200-400

**SLIM**  
30 mm

## TWiSTiT 400

- For SLIM/LED screens and compatible with 30" - 52" LCD - plasma screens
- Tested up to 120 kg



**L** 30"-55"  
76-140 cm

30 KG

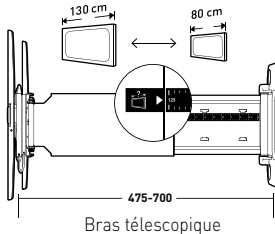
0 > 25°

VESA  
200-400

-90° > +90°

**SLIM**  
42 mm

Adjustable  
arm  
with integrated  
ruler



INSTALLATION EN  
ANGLE POSSIBLE

## Merchandising FIXiT, TiLTiT, TWiSTiT

The *do it* range holds a special place in our merchandising offer. Both innovative and attractive, it deserves tools which are up to its performances.



POS FIXiT  
Ref. 002699 Without cables and connectors  
Ref. 002698 With cables and connectors



Packaging



POS  
DO iT range  
Ref. 002719



Discover FiXiT, TiLTiT and  
TWiSTiT demo videos

**FiXiT**



**TiLTiT**



**TWiSTiT**



Ref.	044020	<b>FiXiT 200</b>	EAN	318528 044020 7
Ref.	044040	<b>FiXiT 400</b>	EAN	318528 044040 5
Ref.	044060	<b>FiXiT 600</b>	EAN	318528 044060 3
Ref.	044240	<b>TiLTiT 400</b>	EAN	318528 044240 9
Ref.	044440	<b>TWiSTiT 400</b>	EAN	318528 044440 3



Mounts and furniture  
for flat TV screens Catalogue



Mounting systems for antennas  
and satellite dishes Catalogue



Connection systems  
catalogues



ERARD Pro catalogue

# ERARD®

ESSENTIAL ACCESSORIES  
FOR AUDIO VIDEO COMPONENTS

WWW.ERARD.COM / Mail : INFOS@ERARD.FR / Tél : +33(0)4 72 46 16 26 / Fax : +33(0)4 72 46 16 22

VAT N°: FR 19 613 680 073

Z.I. de Chavanoz / 4 route de la Plaine / 38236 PONT DE CHERUY Cedex / FRANCE