

A man and a woman in business attire are shown in profile, looking towards the right. They are wearing sunglasses and a white shirt with a dark blazer. The background is a modern glass skyscraper with a grid-like facade, reflecting the sky and surrounding buildings. The image is taken from a low angle, looking up at the building.

Hisense | COMMERCIAL
DISPLAY

LED DISPLAYS

HIK SERIES

ULTIMATE FLEXIBILITY

HIK series LED solutions deliver unrivalled versatility due to the variety of cabinet configurations available. Integrators specifying the HIK range have access to the broadest range of pixel pitch and aspect ratios options. Perfect for any internal space, these innovative Hisense LED modules include cable-less internal construction and full frontal access for ease of maintenance.





High refresh rate

With uniform color scale and brightness, dynamic performance of LED display could restore the true scenes without any ripples.



Brightness nits

With an average 500 nits and 1,000 nits maximum brightness, the display panels can deliver amazingly vivid imagery anywhere during daytime and nighttime conditions.



Low brightness & High gray level

LED display could reveal more details, including layers and colors, than traditional displays do.



160° High viewing angle

The extra wide 160° viewing angle is a perfect fit for large groups of people that will view the displays from diverse angles while passing by.



High color calibration

LED display correction technology could uniformly lighten several hundred thousand LED lights, presenting a uniform display effect with the same brightness and color scale.

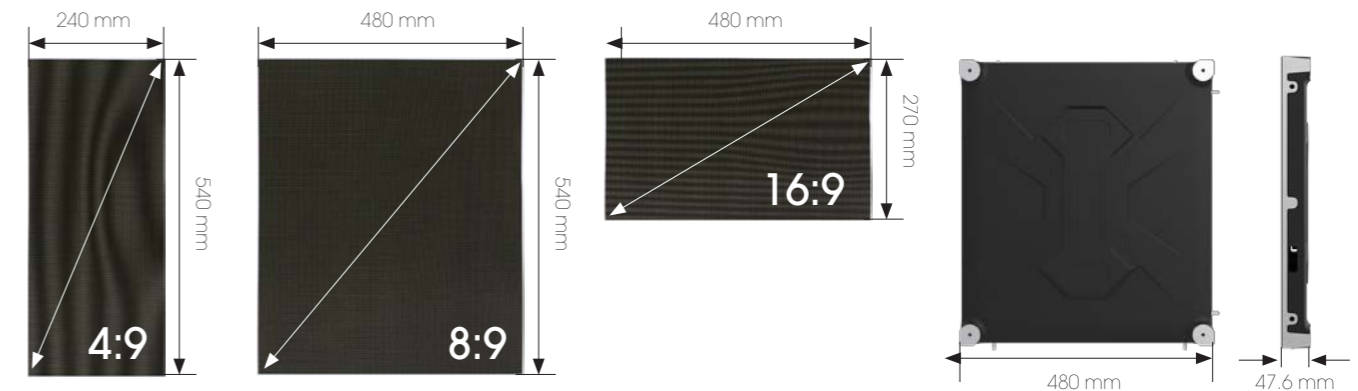


AOB Admixture on board

AOB Transparent glass on surface enhances the mixed light property with scratch resistance, water-proof & easy to clean

HIK SERIES							
Pixel Pitch	P1.25	P1.5	P1.875	P2.0	P2.5	P3.0	P3.75
LED Type	SMD1010	SMD1212	SMD1515 3in1	SMD1515 3in1	SMD2121 3in1	SMD2121 3in1	SMD2121 3in1
Thickness	53.7mm						
Module Size (W×H/mm)	240 x 270						
Cabinet Dimension (W×H/mm)	480 x 540 / 480 x 270 / 240 x 540						
Cabinet Resolution	384 x 432	320 x 360	256 x 288	240 x 270	192 x 216	160 x 180	128 x 144
Cabinet Weight (kg/panel)	≤7kg (480 x 540) / ≤4kg (480 x 270) / ≤4kg (240 x 540)						
Brightness (Nits)	500 (0-1000 Adjustable)						
Contrast Ratio	7000:1						
Maintanance	Front Access						
IP Rating	IP50						
Max Power Consumption (W/sqm)	≤650						
Avg Power Consumption (W/sqm)	≤150						
Viewing Angle	160°						
Refresh Rate (Hz)	3840						
Operating Enviroment	-10° to 40° / 10 to 90% Relative Humidity (non condensing)						
Life Span	100,000 Hours						

DIMENSIONS



FEATURES

- CNC high precision
- No screws design
- Fanless
- Less installation Space
- 16 bit gray scale
- 7000:1 high contrast ratio
- 68.7 billion colors
- Aspect Ratio 16:9, 8:9, 4:9
- High IP level
- 160° high viewing angle
- 4 times anti-push ability
- Nanotechnology
- High uniformity & cost performance
- Ultra-high contrast ratio



Hisense Commercial Display
Email: sales@hisense-b2b.com
Web: www.hisense-b2b.com

Hisense