

## Mimo 15.6" Open Frame Display

Models: M15680-OF / M15680C-OF



*This open frame display employs the latest LCD technology to ensure high reliability and the best user experience.*

### 15.6" Open Frame Display

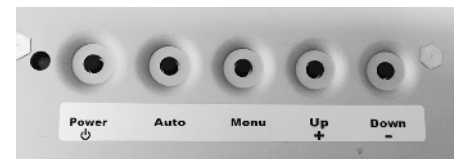
Designed for demanding environments, The Mimo 15.6" Open Frame series delivers a long life cycle, high definition touch experience to a wide range of commercial and industrial applications. Featuring an molded front bezel to control dust and liquids, VGA/DVI video along with VESA and or flange mount capability, the Mimo Open Frame family make the most of your digital world.

#### Features:

- 1920 x 1080 HD Resolution
- 16:9 Aspect Ratio
- 700:1 Contrast Ratio
- 300 cd/m2 Brightness
- 85/85/85/85 Wide Viewing Angle
- VESA (75 mm & 100 mm) and Flange Mounting Options
- Touch Screen Optional (M15680C-OF)
  - 10 point Capacitive (PCAP) Touch Sensor
  - Windows 8 Plug & Play Touch Controller, USB
- Non-touch version has 2.4mm chemically strengthened glass in place of the PCAP sensor for added durability

#### Applications:

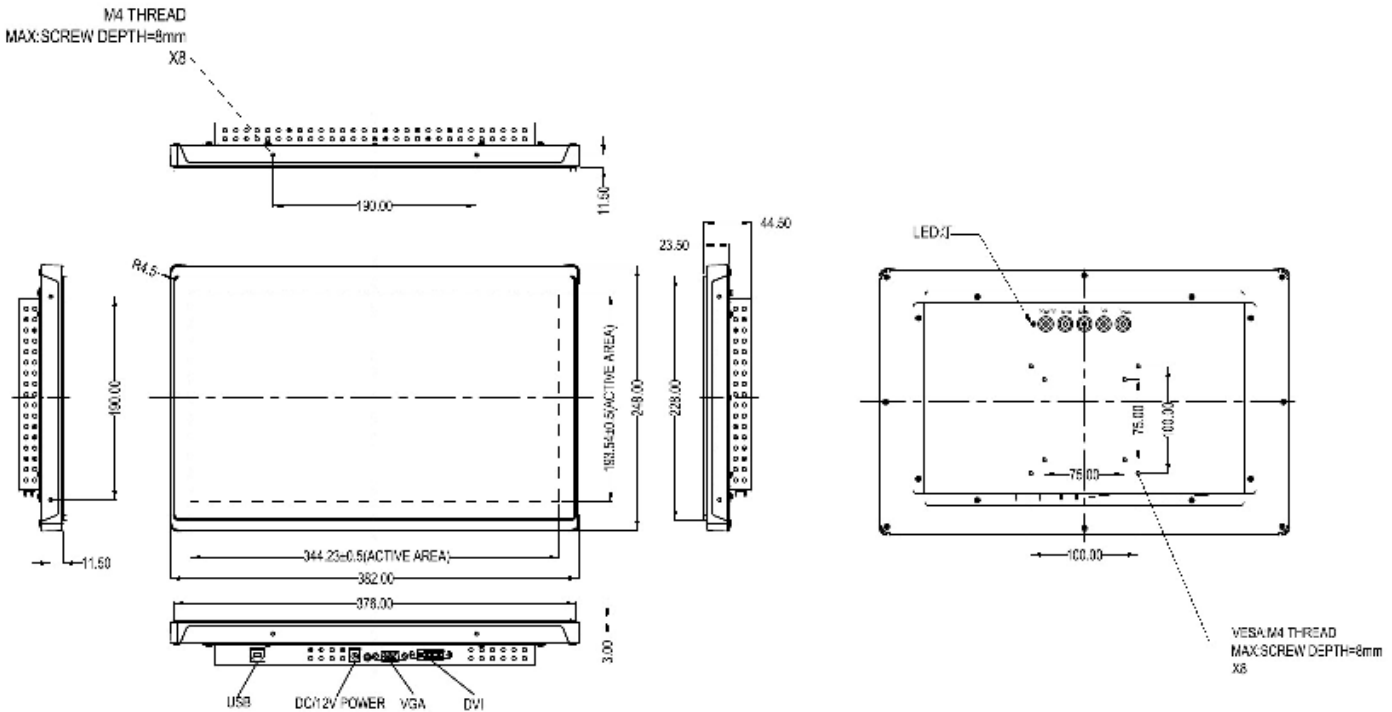
- Kiosk
- Gaming/Amusement
- Industrial Automation
- POP/POI



# Product Specifications

LCD Panel	Backlight	LED
	Brightness	LCD Panel: 300 cd/m2
	Aspect Ratio	(16:9)
	Contrast Ratio	(700:1)
	Viewing Angle	Horizontal: 178° (89°/89°) Vertical: 178° (89°/89°)
	Response Time	11 ms
	Supported Color	16.7M Colors
	Resolution	1920 x 1080 @ 60 Hz
	Input Format	RGB Analog Signal/ Digital Signal
	Video Inputs	VGA / HDMI / DVI
Mechanical	Dimensions	382.0 x 248.0 x 44.50 mm
	Wall Mount Type	Side Mounting Bracket VESA 75mm&100mm
Electrical	Power Supply	Input: DC 12V±5%
	Normal Operation	20 W
	Power Off	2 W
Environment	Operation	0 °C ~ 50 °C
	Storage	(-20 °C ~ 60 °C)
Touch	Glass	Tempered Glass 3mm
	Touch Points	10
	Touch Technology	Projected Capacitive (PCAP)
	Touch Method	Finger / Capacitive Pen
	Touch Lifespan	≥50,000,000
	Response Time	≤10 ms
	Connection	USB 2.0
	Multi- Touch	Windows7/8, Android
	Single-Point OS	Windows XP, Linux

# Dimensions and Mechanical Specifications



## Mimo Monitors

743 Alexander Rd. Suite 15  
Princeton, NJ 08540

info@mimomonitors.com

Sales: 1-855-YES-MIMO (937-6466)