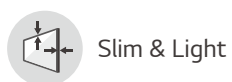




\* All images in this datasheet are for illustrative purposes only.

## Touch Open Frame TNF5J

# New In-Cell Touch Open Frame for Optimal Customization



Slim & Light



Clear Picture Quality



Design Flexibility

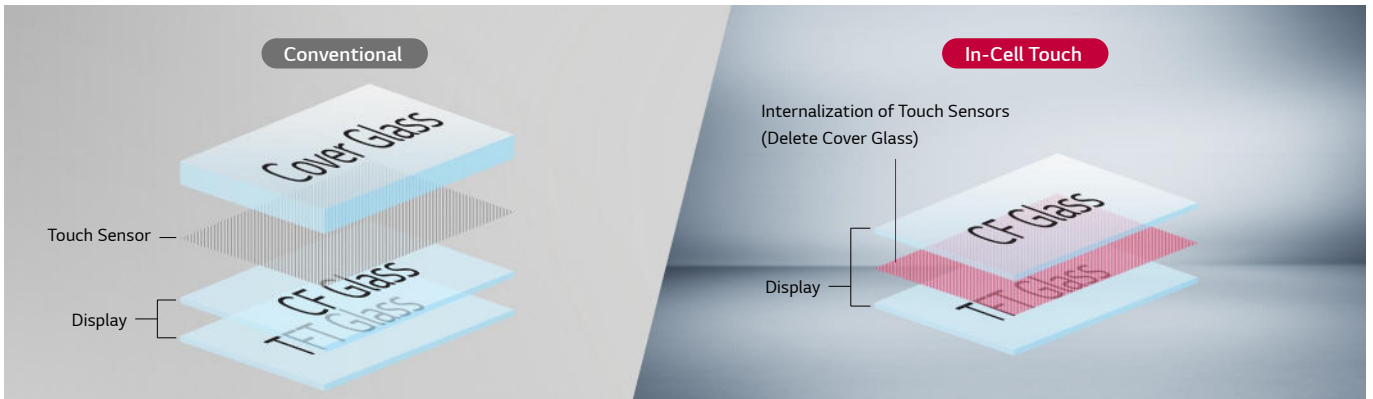


Ready for Commercial Uses



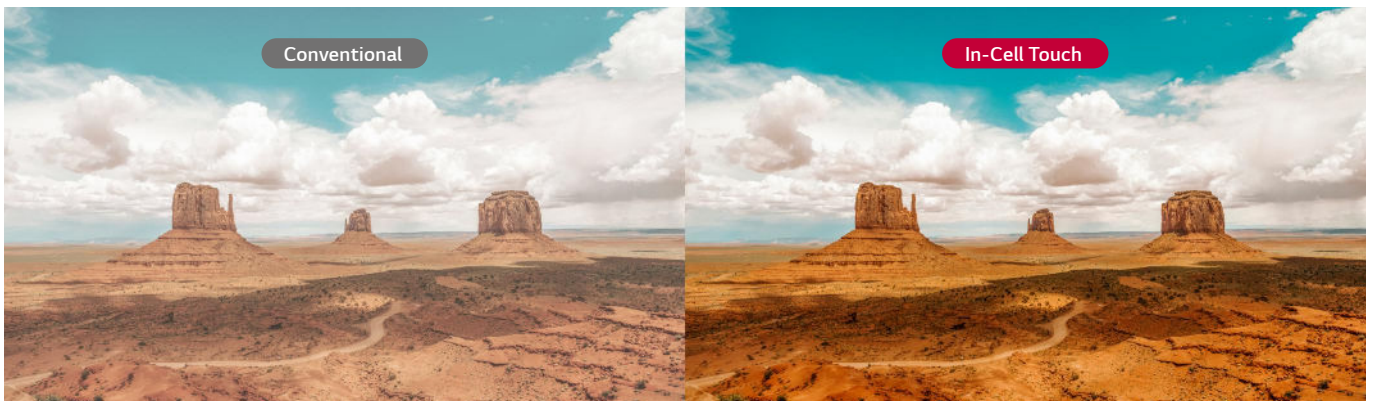
### TNF5J

	Inch	55" / 43" / 32"
Display	Native Resolution	3,840 × 2,160 (UHD) (55" / 43") 1,920 × 1,080 (FHD) (32")
	Brightness	450 nit (55"), 500 nit (43" / 32")
	Operation Hours	24 / 7 (Hours / Days)
	Portrait / Landscape	Yes / Yes
Touch	Multi-Touch Point	Max. 10 Points
Connectivity	Input	HDMI (2, HDCP 2.2/1.4), RS-232C In, RJ45(LAN), IR In, USB2.0 Type A
	Output	Audio Out, Touch USB (USB 2.0 Type B)



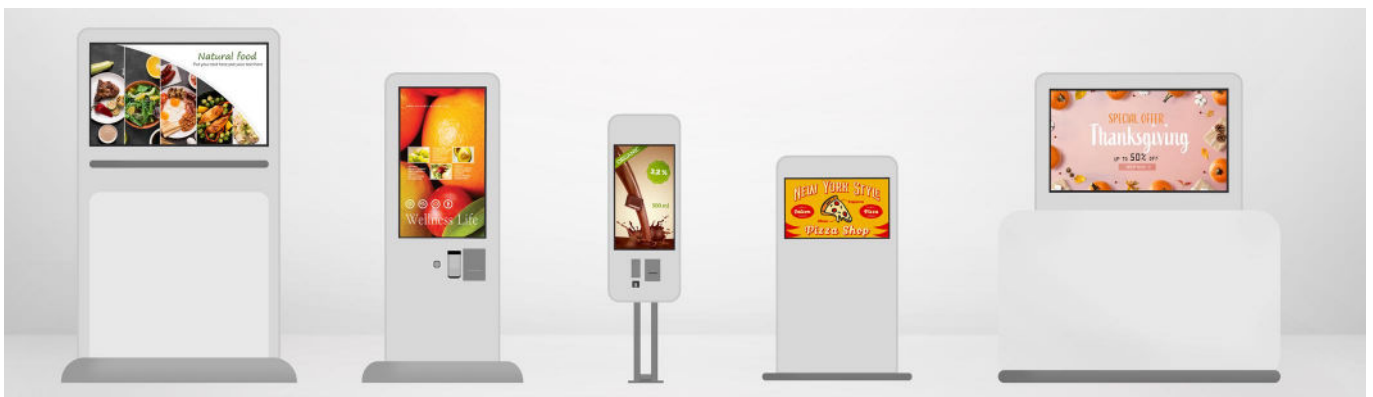
## Slim & Light

The In-Cell Touch Open Frame has a touch function built into the display, allowing for the implementation of a slim design and a narrow bezel compared to general touch products that require additional touch parts (Film).



## Clear Picture Quality

Compared to general touch products, TNF5J implements clear picture quality without distortion and milk effects caused by additional touch sensor film parts.



## Design Flexibility

By providing integrated parts such as touchscreen, display, and webOS, users can realize free design for their own needs.



## Ready for Commercial Uses



### 24hrs / 7days

TNF5J's excellent durability allows for use in kiosks that require a full day of operation.



### Wide Viewing Angle

IPS panel technology provides better control of the liquid crystals, which in turn allows the screen to be viewed at virtually any angle.



### 45-degree Tilt (Face up) Installation Possible

When a display is installed at low places, it is usually tilted for the user's viewing comfort. Considering this, the installation with a max tilt of 45 degrees is supported.



### 10 Points of Multi-Touch

The TNF5J provides a more realistic touch sensation since it can recognize up to 10 points of multi-touch at once, and various touch-based user services can be provided through the screen.



### High-Performance with webOS 6.0

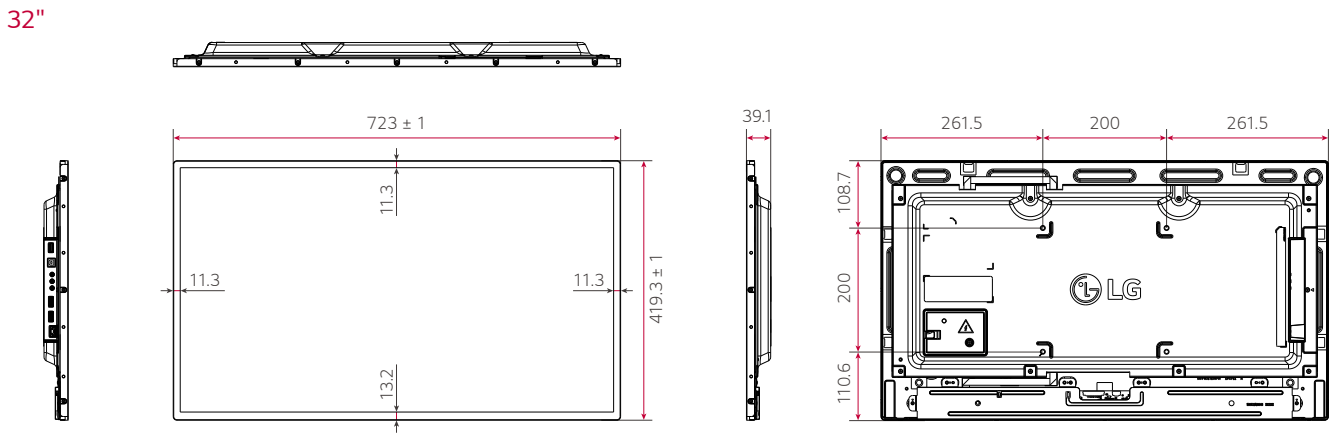
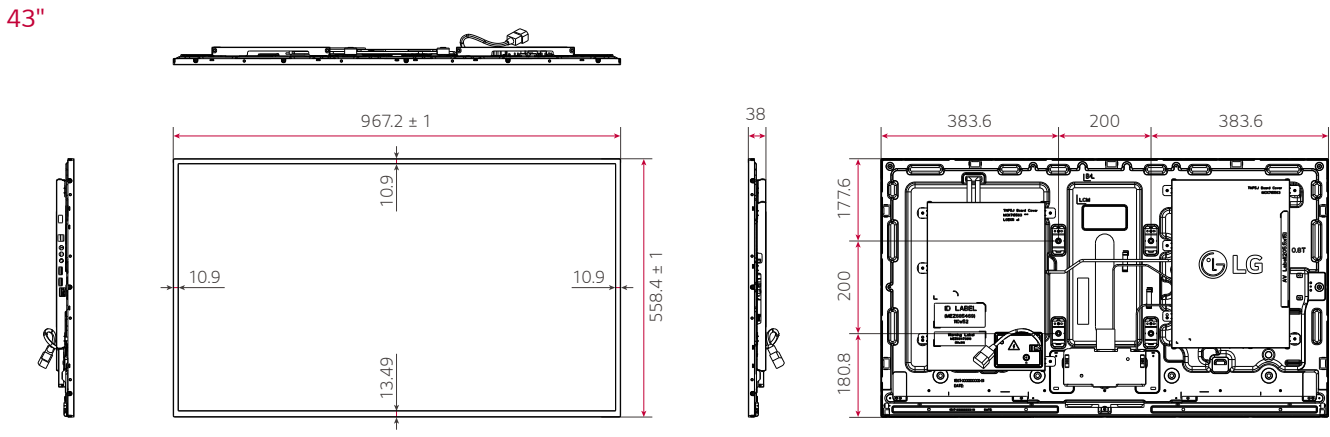
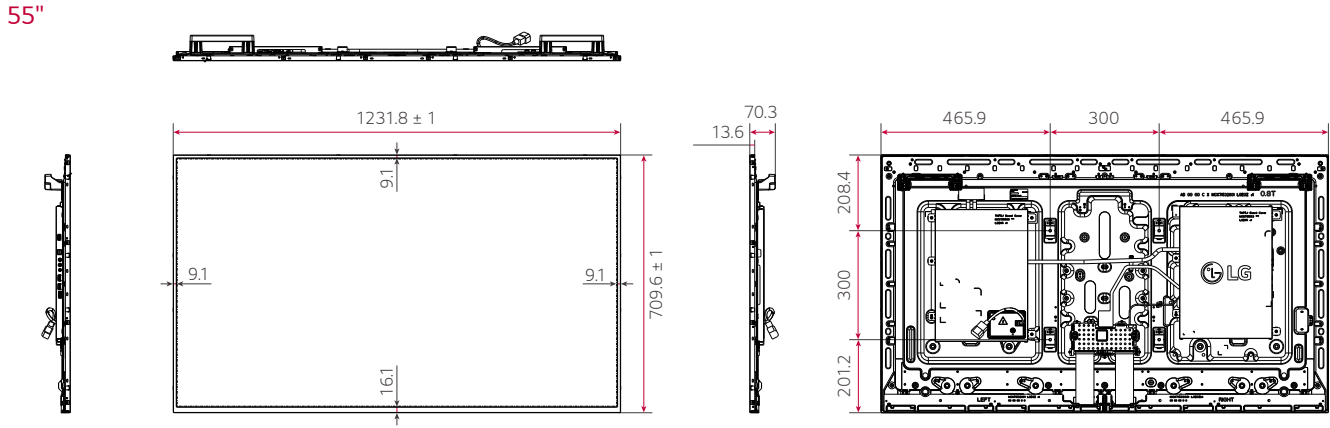
webOS 6.0, upgraded in SoC\* and web engine, is available on TNF5J for a smooth execution of several tasks. LG webOS smart signage platform enhances user convenience with intuitive GUI\*\* and provides to SI or/and developers simple app development tools such as SDK (Software Development Kit), SCAP, sample applications.

\* SoC : System On Chip

\*\* GUI : Graphical User Interface

\* All images in this datasheet are for illustrative purposes only.

**DIMENSION** (unit: mm)



\* Dimensions may differ from the above image, so please contact LG sales team to verify before ordering.



Download  
LG C-Display+  
Mobile App  
Google Play Store

- [www.lg.com/global/business/information-display](http://www.lg.com/global/business/information-display)
- [www.youtube.com/c/LGCommercialDisplay](https://www.youtube.com/c/LGCommercialDisplay)
- [www.facebook.com/LGInformationDisplay](https://www.facebook.com/LGInformationDisplay)
- [www.linkedin.com/company/LGinformationdisplay](https://www.linkedin.com/company/LGinformationdisplay)
- [twitter.com/LG\\_ID\\_HQ](https://twitter.com/LG_ID_HQ)

LG may make changes to specifications and product descriptions without notice. Copyright © 2021 LG Electronics Inc. All rights reserved. "LG Life's Good" is a registered trademark of LG Corp. The names of products and brands mentioned here may be the trademarks of their respective owners.