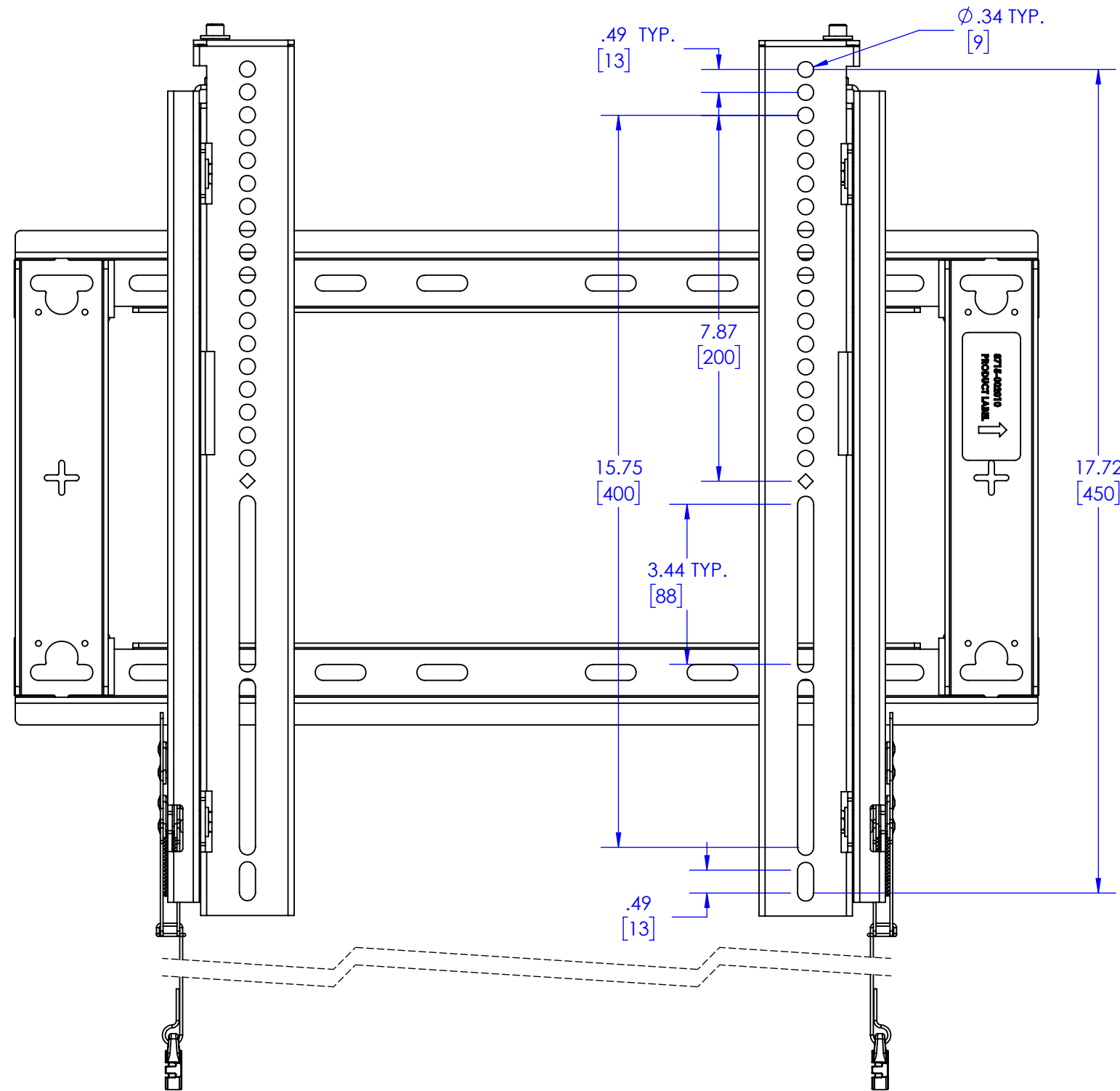



1. MAXIMUM HORIZONTAL MOUNTING PATTERN IS 16.3" (413 mm) WITHOUT REVERSING UPRIGHTS
2. MAXIMUM HORIZONTAL MOUNTING PATTERN IS 21.7" (550 mm) WITH REVERSING UPRIGHTS
3. FOR RECESSED APPLICATIONS, MINIMUM VERTICAL LIFT FOR HOOK ENGAGEMENT IS .75" (19 mm)

THE INFORMATION AND DESIGNS CONTAINED IN THIS DRAWING ARE CONFIDENTIAL AND THE PROPRIETARY PROPERTY OF LEGRAND | AV. NEITHER THIS DESIGN NOR ANY INFORMATION CONTAINED IN THIS DRAWING MAY BE REPRODUCED OR DISCLOSED TO OTHERS WITHOUT THE EXPRESS WRITTEN CONSENT OF LEGRAND | AV.

CAD GENERATED DRAWING, DO NOT MANUALLY UPDATE.				6436 CITY WEST PKWY EDEN PRAIRIE, MN, 55344 PHONE: 866-977-3901 FAX: 877-894-6918	
DRAWN BY	JF	6/30/2021	DESCRIPTION		
ENG APPROVAL			MEDIUM UNIVERSAL FIXED MOUNT		
MFG APPROVAL			MODEL NO.		
QA APPROVAL			RMF3		
SHEET 1 OF 2		SCALE	SIZE	DWG. NO.	REV.
		1:4	B	TECH-001148	00



THE INFORMATION AND DESIGNS CONTAINED IN THIS DRAWING ARE CONFIDENTIAL AND THE PROPRIETARY PROPERTY OF LEGRAND | AV. NEITHER THIS DESIGN NOR ANY INFORMATION CONTAINED IN THIS DRAWING MAY BE REPRODUCED OR DISCLOSED TO OTHERS WITHOUT THE EXPRESS WRITTEN CONSENT OF LEGRAND | AV.

CAD GENERATED DRAWING, DO NOT MANUALLY UPDATE.		 6436 CITY WEST PKWY EDEN PRAIRIE MN, 55344 PHONE: 866-977-3901 FAX: 877-894-6918	
DRAWN BY	JF 6/30/2021		
ENG APPROVAL		DESCRIPTION	
MFG APPROVAL		MEDIUM UNIVERSAL FIXED MOUNT	
QA APPROVAL		MODEL NO.	
		RMF3	
SHEET 2 OF 2	SCALE 1:3	SIZE B	DWG. NO. TECH-001148
			REV. 00